



# ADVANCED INTELLECTUAL PROPERTY GRAPHICS

## A.I.P.G.

A.I.P.G., Incorporated  
515 W. Main Street, Suite 204  
Tomball, Texas 77375

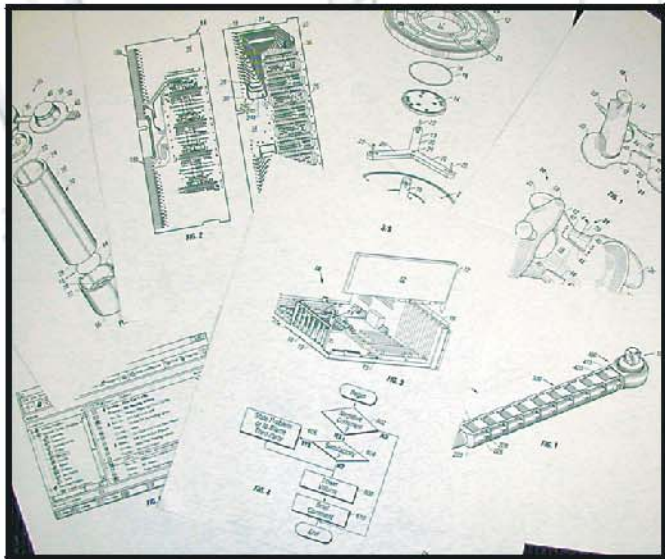
Phone: (281) 255-8388  
Fax: (281) 255-8240  
email: [formaldrawings@aipg-inc.com](mailto:formaldrawings@aipg-inc.com)

---

*AIPG is a corporation dedicated to the intellectual property industry. We are a single resource to provide firms like yours quality patent and trademark drawings; litigation and court exhibits; plus marketing, consulting and business promotion services. The honest, hard working people of AIPG are well trained in their specialty so that you receive consistent, reliable service.*

---

# PATENT & TRADEMARK ILLUSTRATIONS



You can rely on AIPG Patent and Trademark Illustrations to provide high quality service - done quickly and competitively priced.

We draw from sketches, prints, electronic images, negatives, photographs, or from the invention itself; plus, we are able to modify AutoCAD and other software files.

## Communication Availability, Delivery

We know that you may need to operate at erratic times and in rush situations, so our services are available to you seven days a week at any hour. AIPG accepts standard, next-day, and same-day orders. Instructions and review of your drawings are discussed personally with a qualified representative and supported by e-mail, mail, courier, or fax.

All formal drawings can be delivered on quality stock paper with a cover page accompanied by an electronic version that allows your firm to make additional prints on demand. Any drawing can be prepared in EFS or TEAS filing format. On a standard job, your firm will receive formal drawings in an average of seven days.

## Confidentiality

AIPG understands the importance of protecting intellectual property. For your peace of mind, we offer a confidentiality agreement. All jobs are done in an honest, professional manner. While working on a job, all of your printed materials are thoroughly protected, and to ensure confidentiality while conducting e-commerce, all files are protected by an added security system. When formal drawings are completed, all written correspondence is destroyed, and electronic files are archived and secured.

Our wide variety of drafting services include:

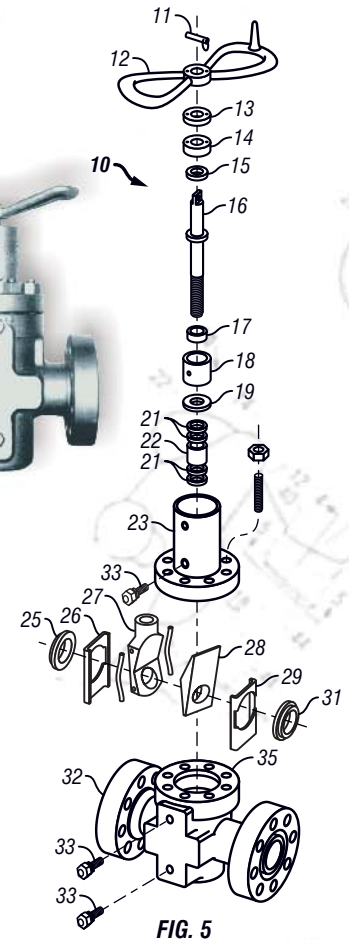
- ◆ Flow Charts
- ◆ Mechanical
- ◆ Technical
- ◆ Electronic Schematics
- ◆ Software
- ◆ Scientific
- ◆ Chemical
- ◆ Medical
- ◆ Biotechnical



## No Additional Charge

The prices at AIPG are easy to quote. All foreign or US utility and design patent drawings, and trademark illustrations are priced a flat, per page fee. There is no additional charge for:

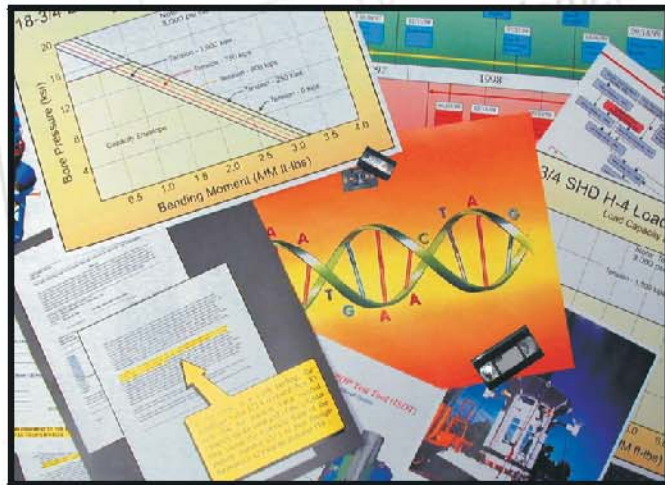
- ◆ Minor revisions
- ◆ Rush jobs
- ◆ Complex drawings



Call us to learn more about how AIPG's quality, patent and trademark illustration services can help you. We are available to assist you 364 days a year.

**A.I.P.G.**

# LITIGATION GRAPHIC SERVICES



From mediation to courtroom, AIPG Litigation Graphic Services prepares demonstrative evidence to **show what you mean** in a clear and concise manner so any issue is easy for your prospective audience to understand.

At AIPG, we pointedly design demonstratives to be based on principle; and at the same time, we pay attention to details that affect comfort and credibility.

## Preparing a Path to Verdict

We consult with you what visual aids work as demonstrative evidence for best presentation value and to avoid logistical difficulties. AIPG can create original photographs, video, and animations, plus work with existing case materials.

### Litigation Graphics:

- ♦ Key Documents - Enhancements, Enlargements
- ♦ Evidentiary Photos
- ♦ Charts, Graphs
- ♦ Maps, Diagrams
- ♦ Medical, Technical Illustrations
- ♦ Slide Projection
- ♦ Computer Animations - self-running, interactive
- ♦ Video with Transcript
- ♦ Audio with Transcript

---

*"A combined visual and oral presentation increases juror retention more than 6 times over oral presentation alone."* - American Bar Association

---

## Technological Advantage


Using higher technological exhibits may make the litigation process more manageable and shorten a court case. In addition to shortening the amount of time to convey your argument, the proper use of exhibits may consolidate information, such as combining depositions into the same presentation.

## Changing with the Argument

AIPG knows there are long hours involved in litigation and that new developments during litigation may cause the key facts for your argument to change. We continue to help provide ideas and exhibits so that the presentations made for you stay consistent with your argument.

## Equipment and Assistance

AIPG offers in-courtroom assistance with demonstratives. For people who would like to brush-up on using equipment, we offer MAP, Multimedia Presentations - giving you directions for performance in effective one-on-one instructionals.

We can also provide professional, quality equipment such as stands, monitors, speakers and projectors. An AIPG visual aid specialist can accompany you in the courtroom to operate visual aids, so you can concentrate on your delivery. 

Call us to find out more about how AIPG's quality, litigation graphic services can assist you. Let us help you with your next case.

**A.I.P.G.**

# MARKETING CONSULTING & BUSINESS PROMOTIONS



At AIPG Marketing, Consulting and Business Promotions, we work to provide your company with the positive and prominent image it deserves.

AIPG researches your competitors, clients and vendors; then analyzes and develops the best operational and promotional strategy for your business.

## Marketing

When deciding on critical issues, marketing can be used to search out indicators for action. Marketing services are valuable when you are contemplating issues such as when and where to open a new office. Our marketing services also conduct research on past and present market activity to benchmark your company against your competitors.

## Consulting

Beginning your endeavors, you may have had a particular vision of how you would operate and perform. Our consulting services help you optimize all aspects of doing business from time-motion, to financial and accounting, to market place standing. We seek to understand your vision, create strategies and plans to meet your goals, and then help **implement** your vision.


## Business Promotions

Recognition and perception are two very important factors effecting how a customer thinks of a business: Do customers recognize the business in the marketplace? If so, how do they perceive it?

AIPG's Business Promotions assist and enhance both your message and your image to create a recognizable, cohesive brand identity.



We are constantly growing. Our marketing, consulting and business promotion experience includes eleven years of graphic design, five years of marketing research, four years of consulting / entrepreneurship, and three years of business promotions.

When you work with AIPG, you get more than the service that comes from one company's experiences. We have developed alliances across the marketing, consulting and promotions industries for you to receive quality, specialized services through one contact. 

Call us to find out more about what AIPG's quality marketing, consulting, and business promotion services can do. Let us help you increase your overall business.

As a business in the twenty-first century, we have many promotional tools available for your use.

- ♦ Business Cards, Letterhead, Stationary
- ♦ Internet Presence
- ♦ CD Business Cards, Electronic Presentations
- ♦ Printed Literature
- ♦ Mail-outs
- ♦ Promotional Items
- ♦ Events
- ♦ Advertising

A.I.P.G.